

FIG. 1

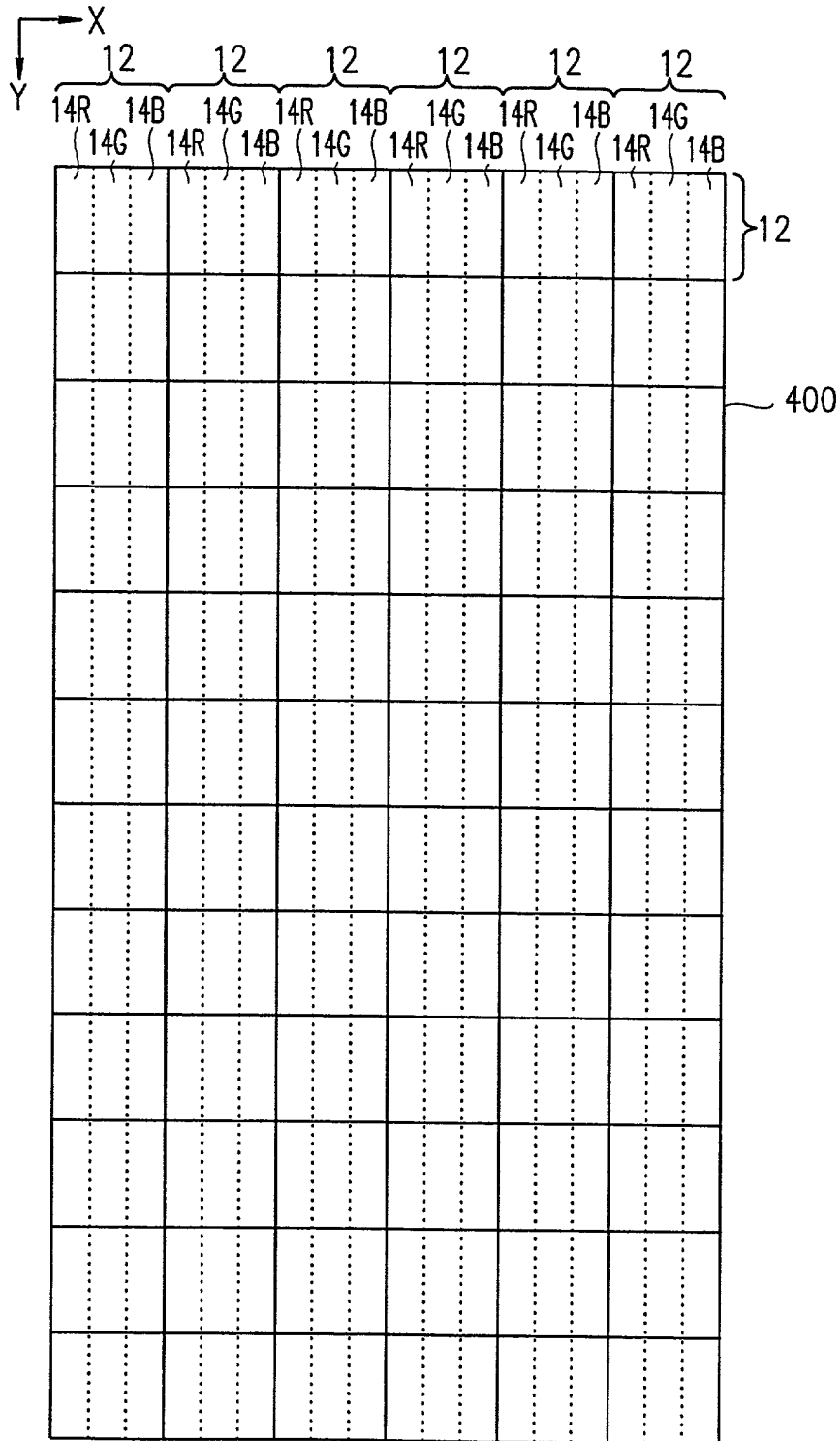


FIG. 1

FIG. 2

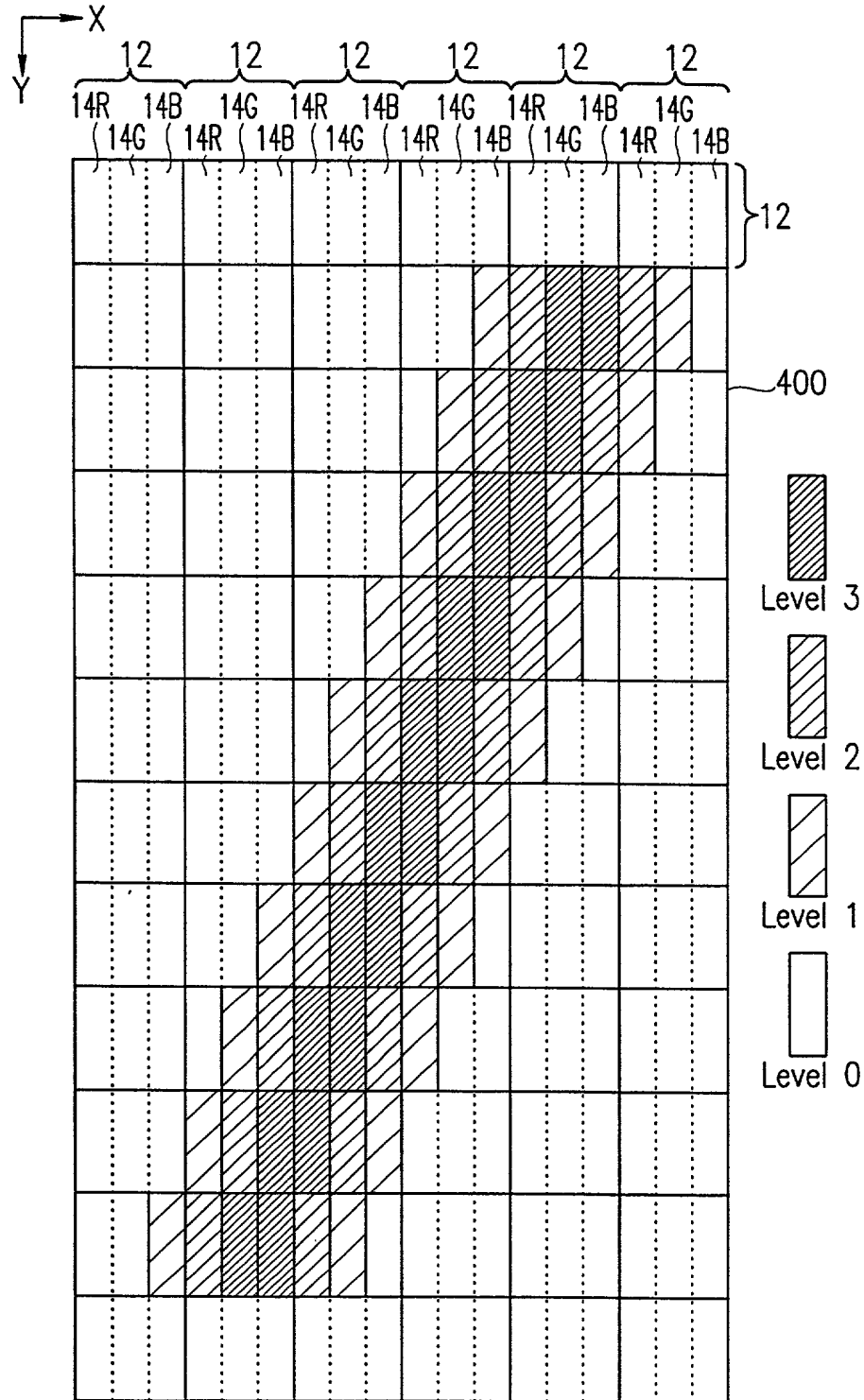


FIG. 2

FIG. 3

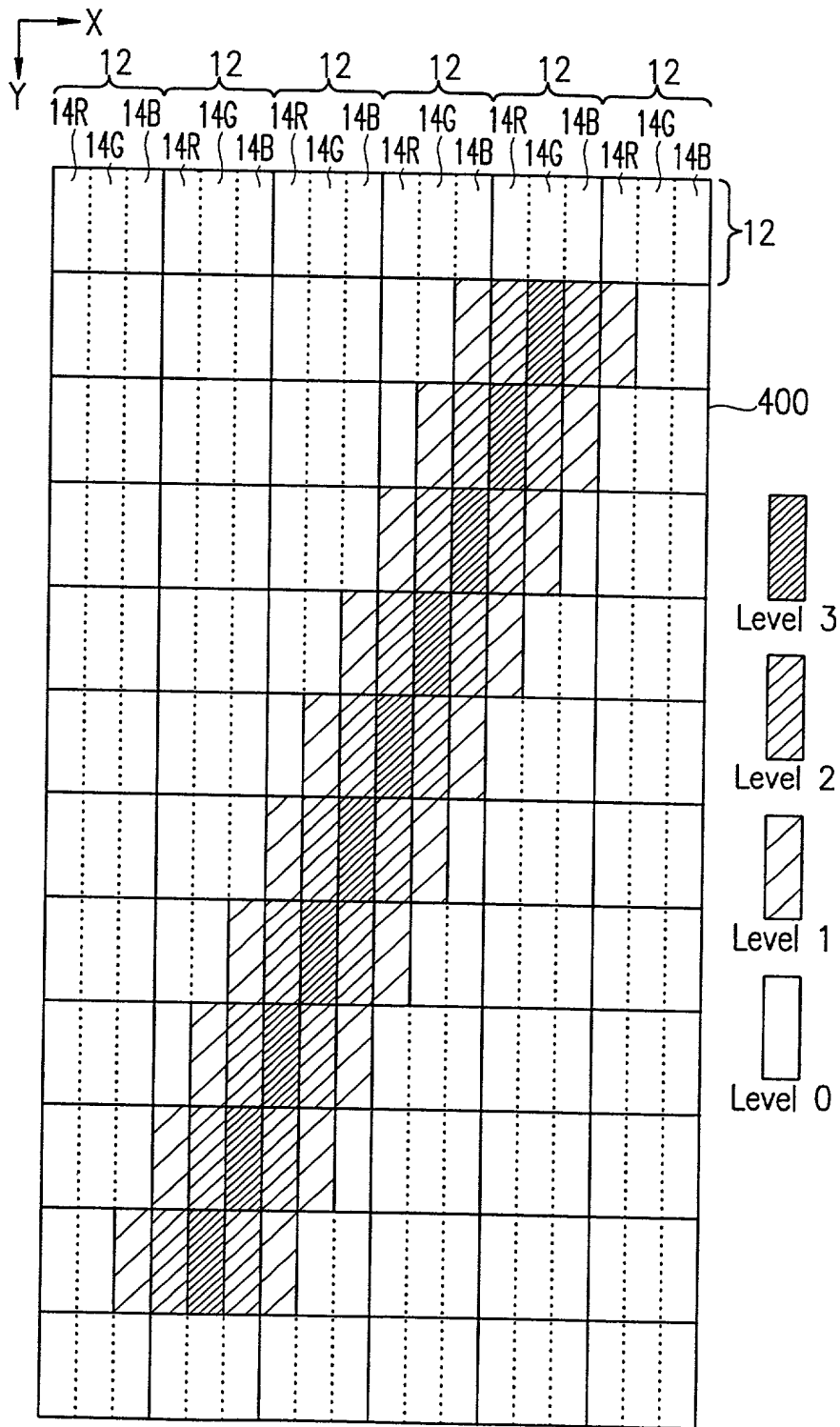


FIG. 3

FIG. 4

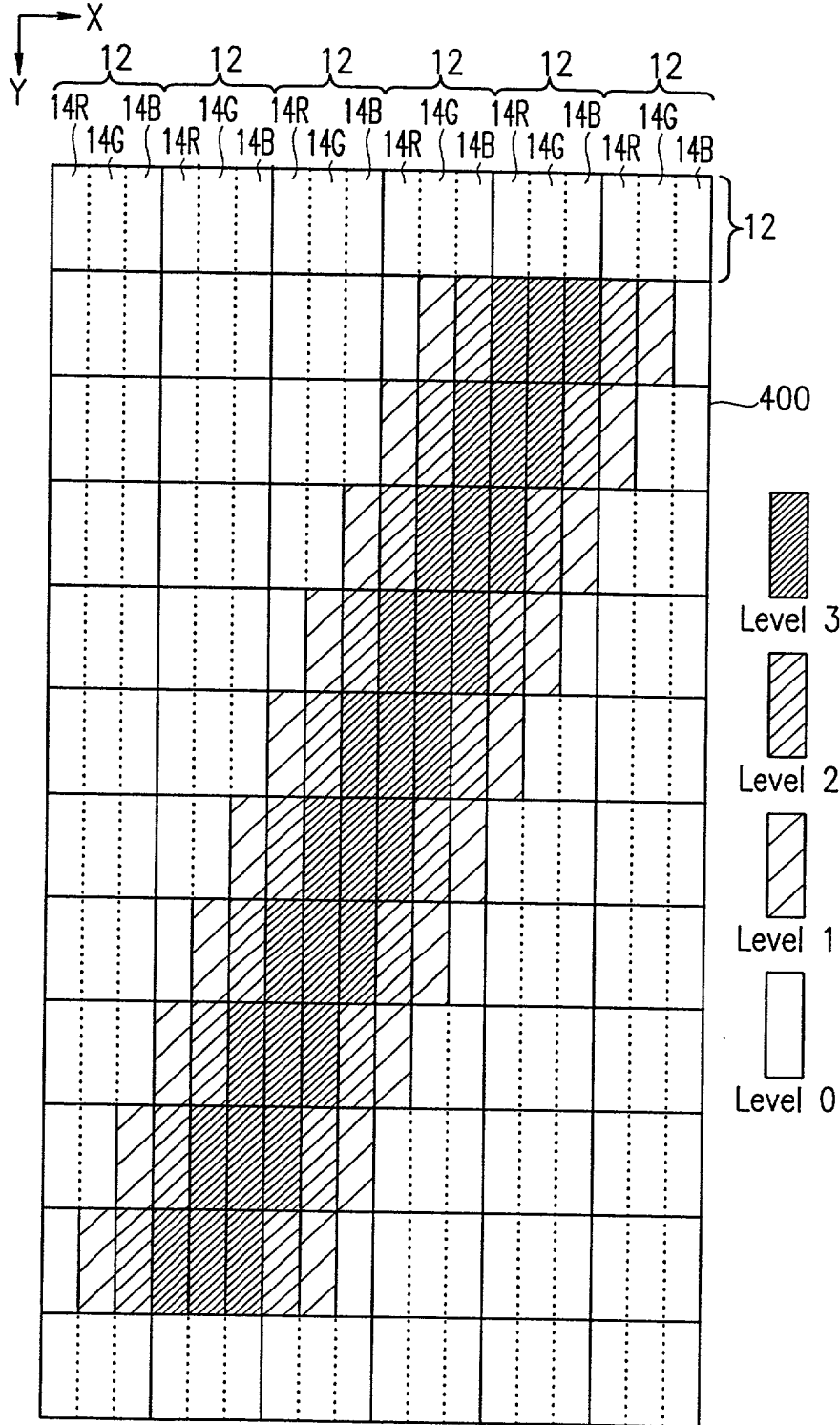


FIG. 4

FIG. 5

Brightness table 92

		Brightness level		
		R	G	B
Color element level	7	0	0	0
	6	36	36	36
	5	73	73	73
	4	109	109	109
	3	146	146	146
	2	182	182	182
	1	219	219	219
	0	255	255	255

FIG. 6

Brightness table 94

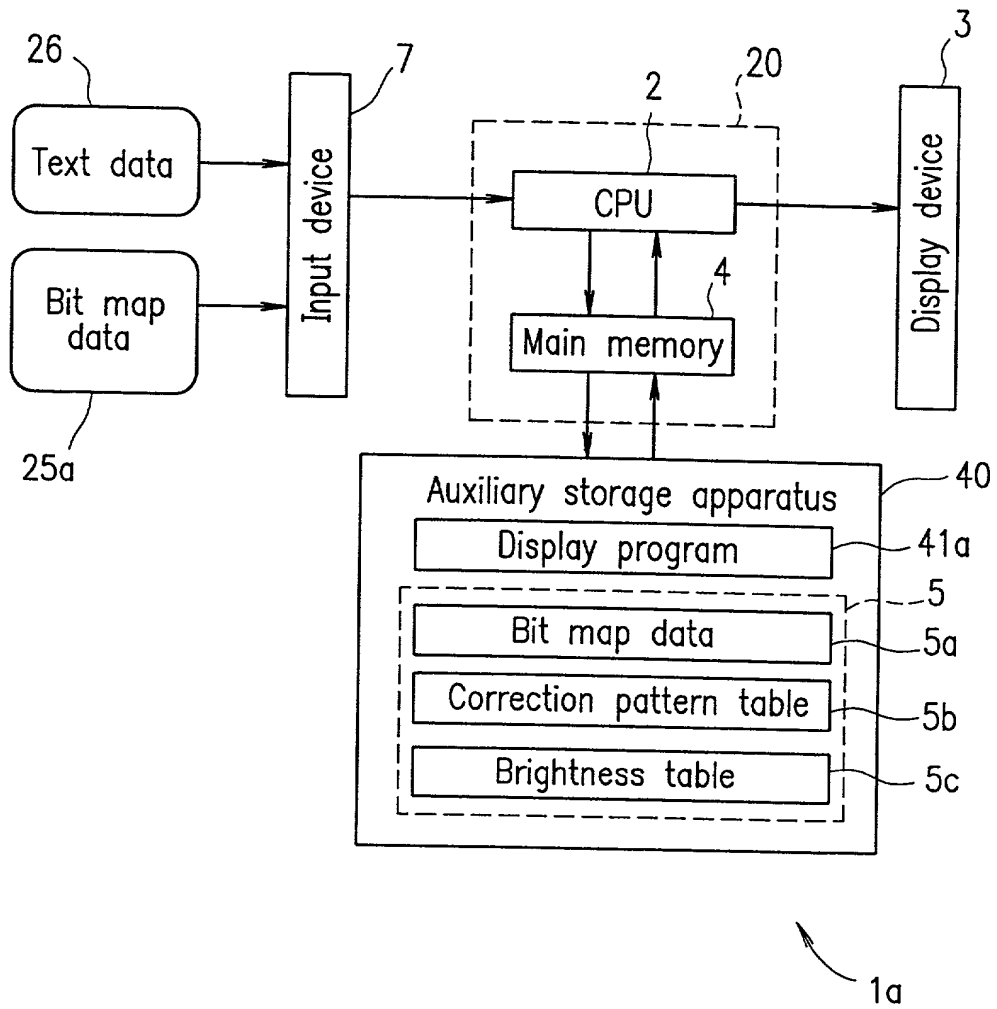
		Brightness level		
		R	G	B
Color element level	7	0	0	0
	6	30	30	30
	5	60	60	60
	4	100	100	100
	3	150	150	150
	2	185	185	185
	1	220	220	220
	0	255	255	255

FIG. 7

Brightness table 96

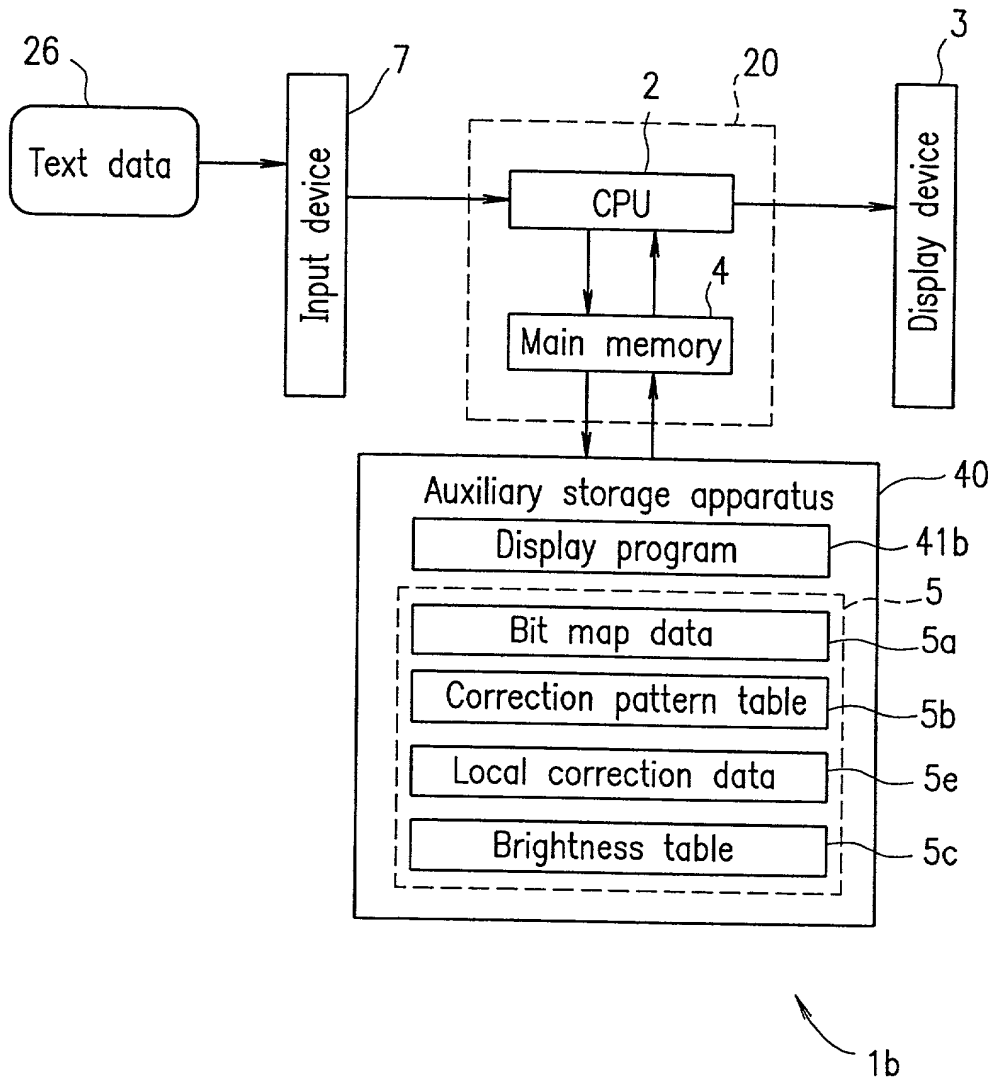
		Brightness level		
		R	G	B
Color element level	7	0	0	0
	6	36	36	105
	5	73	73	130
	4	109	109	155
	3	146	146	180
	2	182	182	205
	1	219	219	230
	0	255	255	255

FIG. 8A



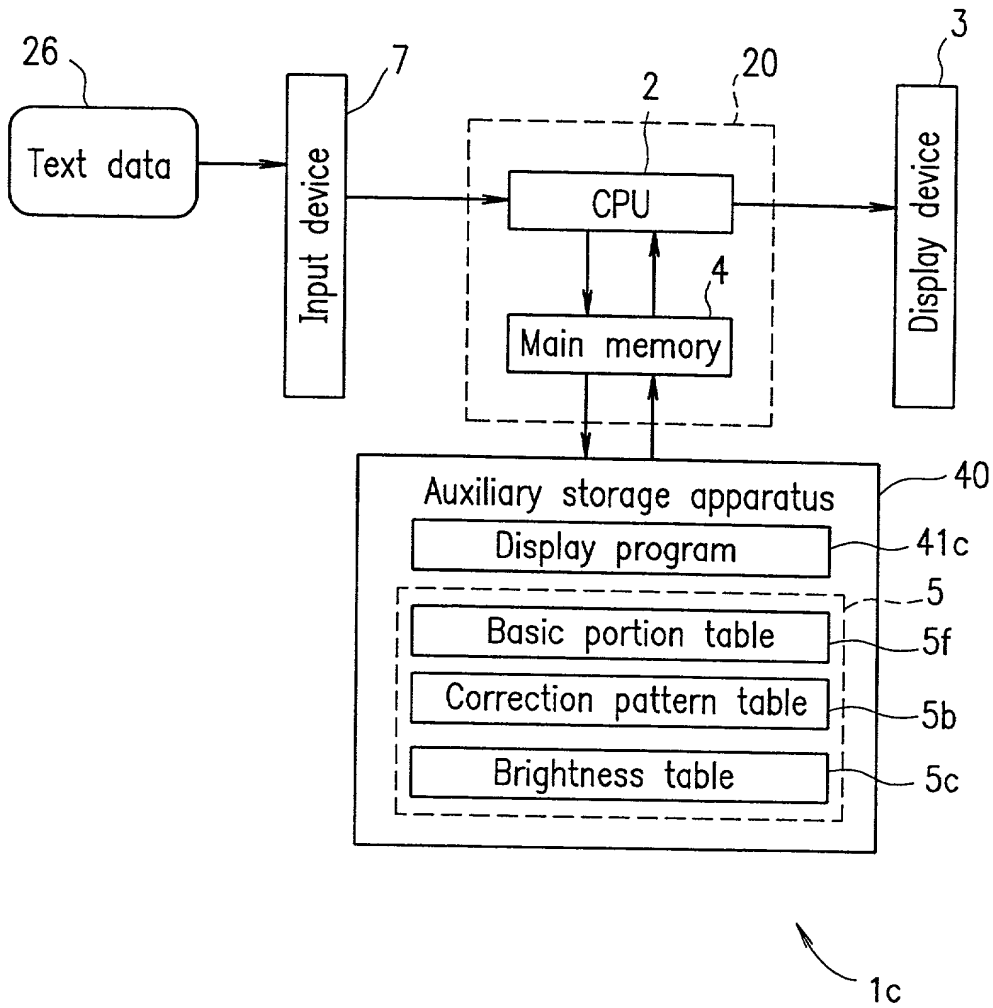
Patent & Trademark

FIG. 8B



Patent Research

FIG. 8C



Patent of the United States

FIG. 8D

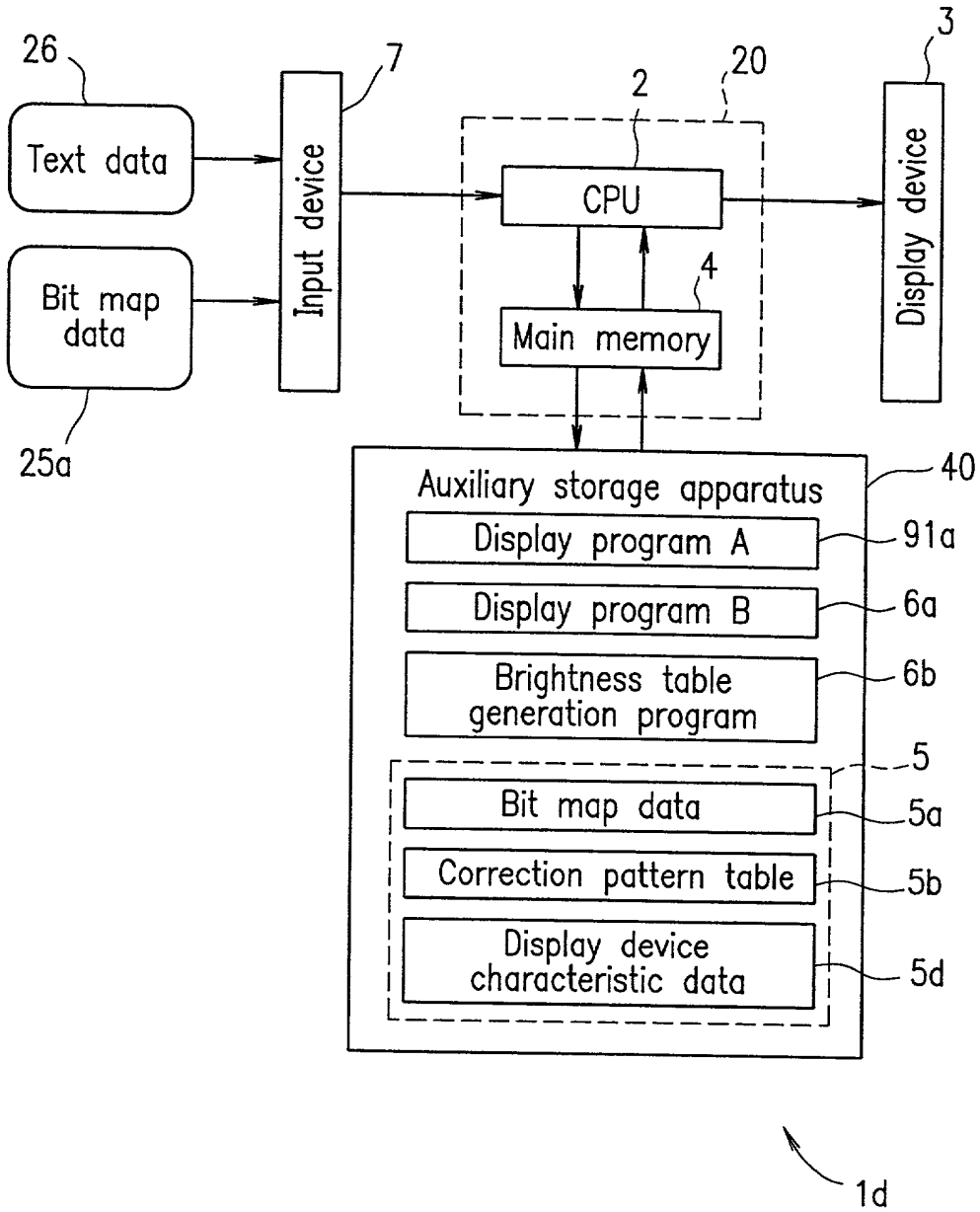
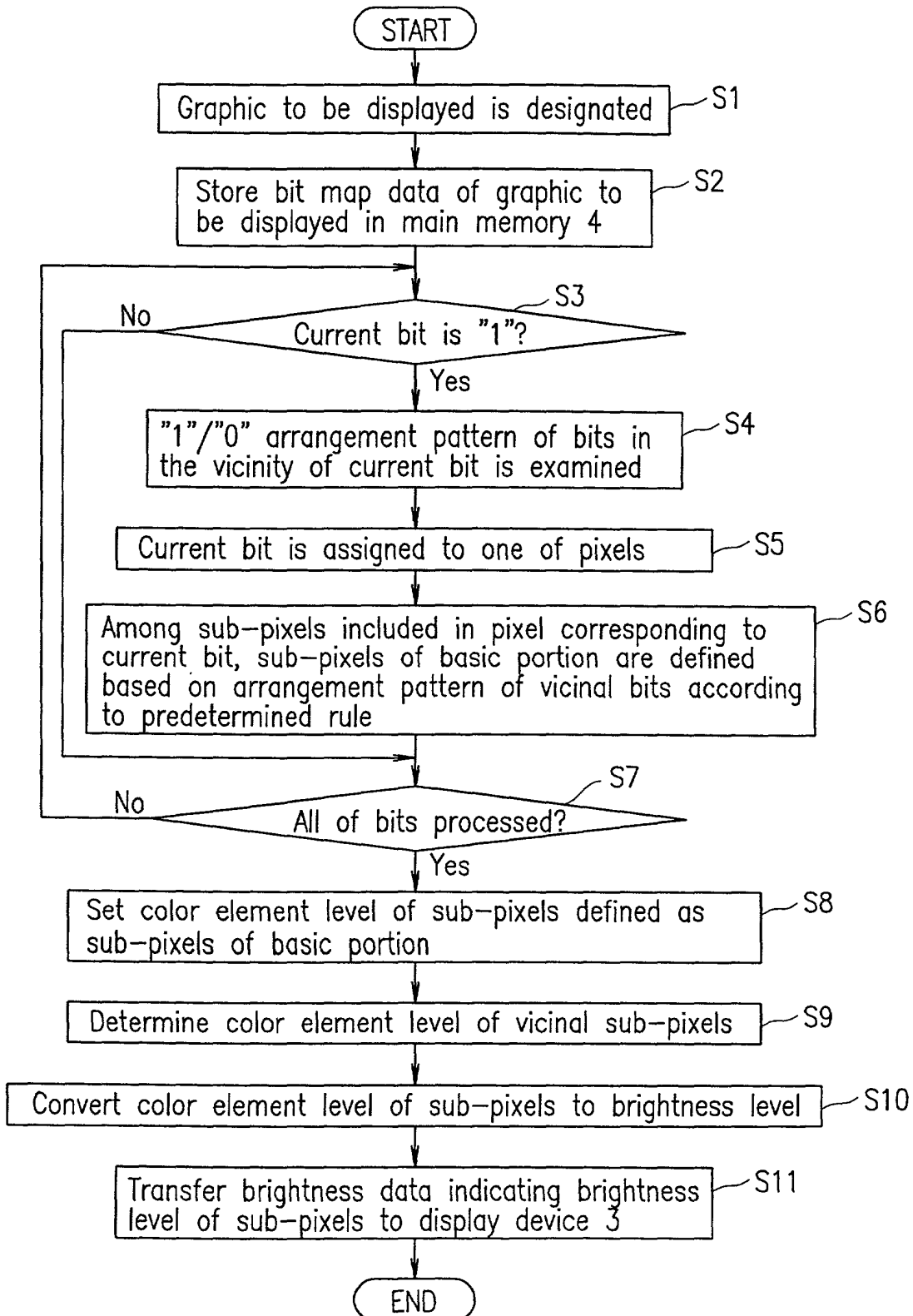


FIG. 9

Correction pattern table 2060

Correction pattern 1	Color element level	Sub-pixel 1	5
		Sub-pixel 2	2
		Sub-pixel 3	.1

FIG. 10



"09330" 24980

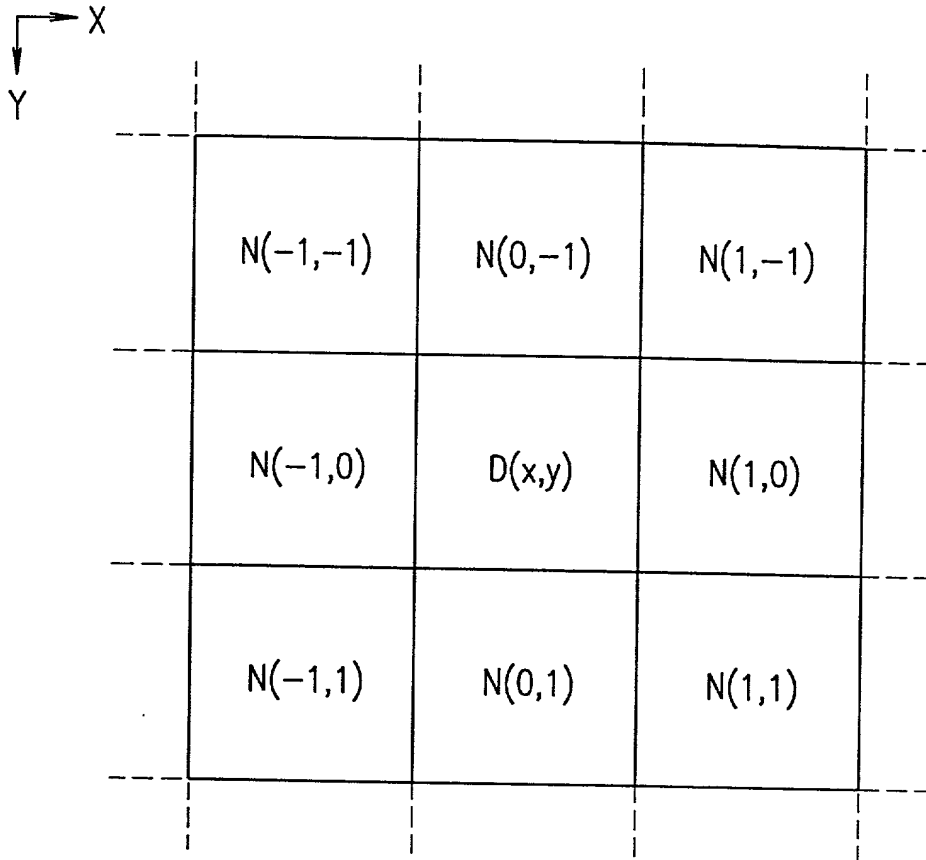
FIG. 11

FIG. 12

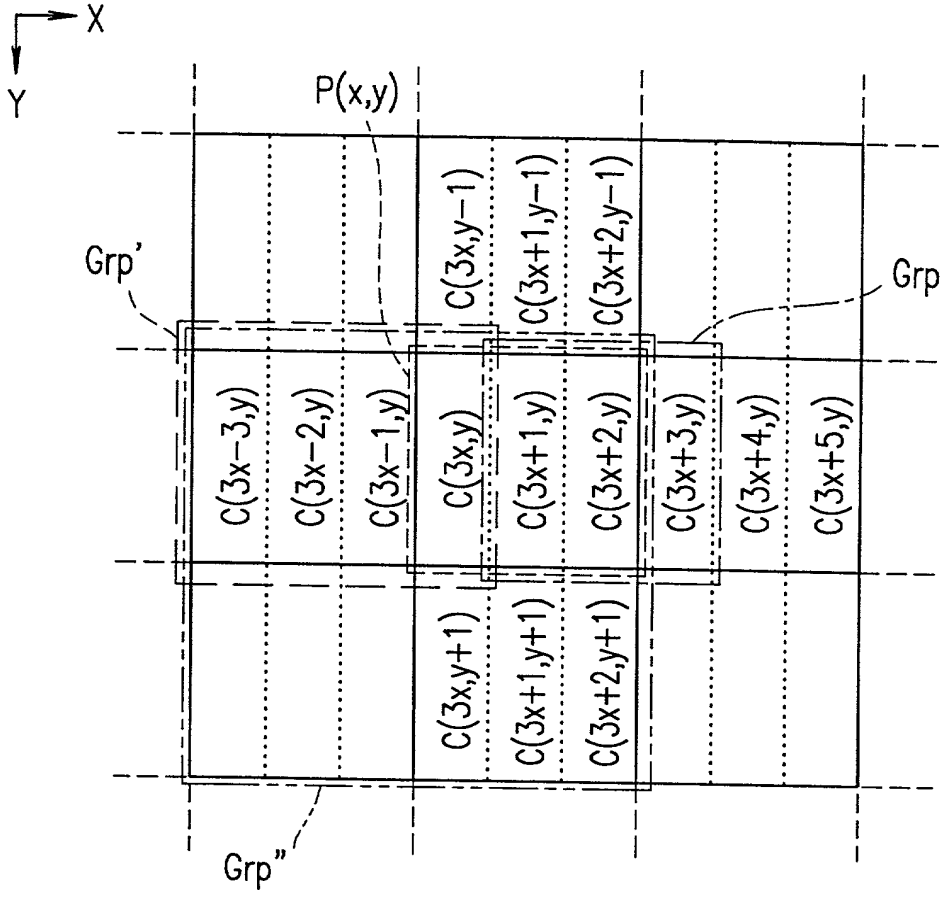


FIG. 13A

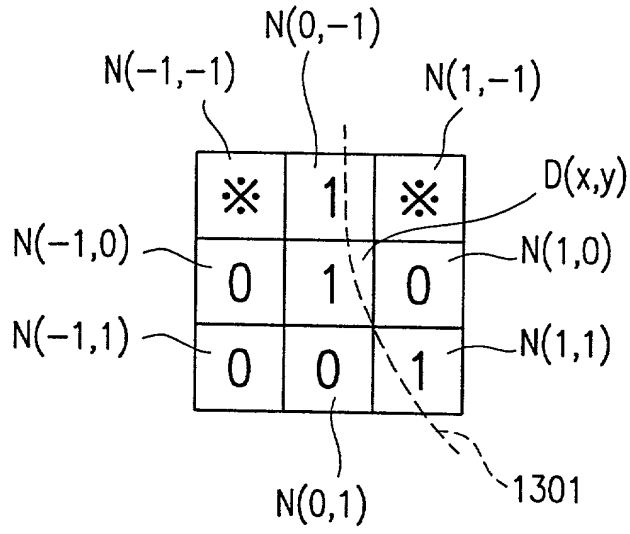
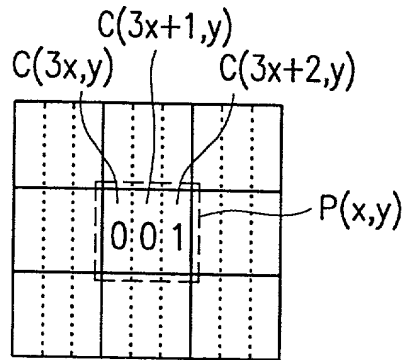


FIG. 13B



"PAGES" 249850

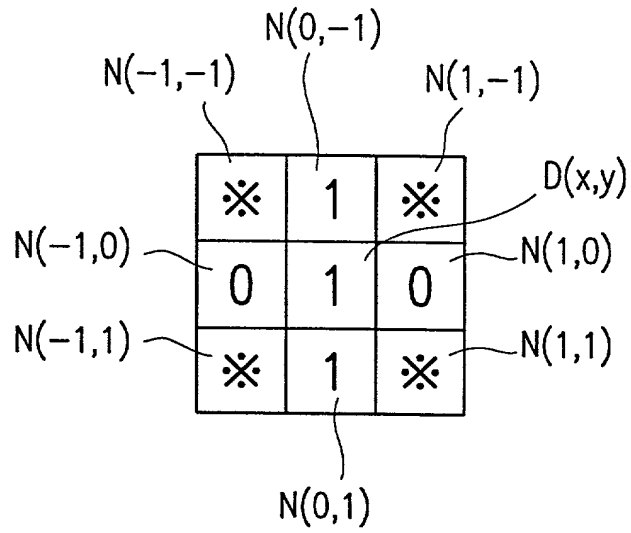
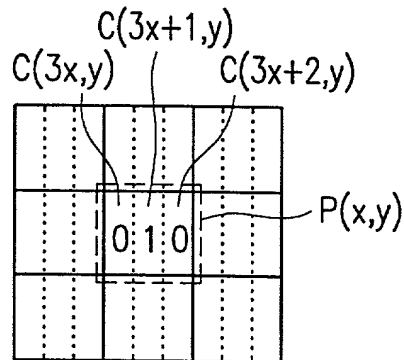
FIG. 15A*FIG. 15B*

FIG. 16A

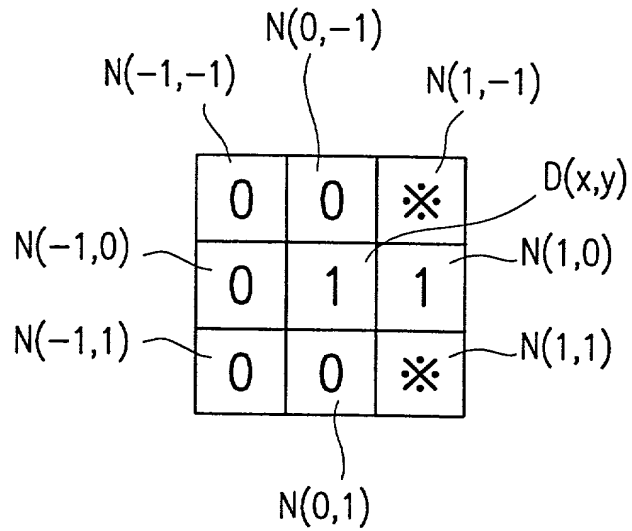


FIG. 16B

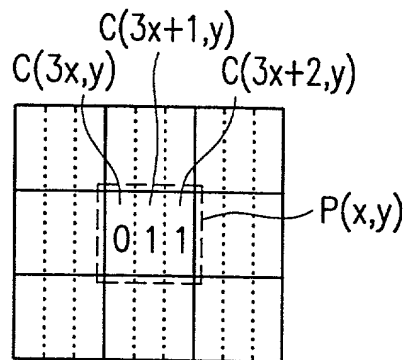


FIG. 17

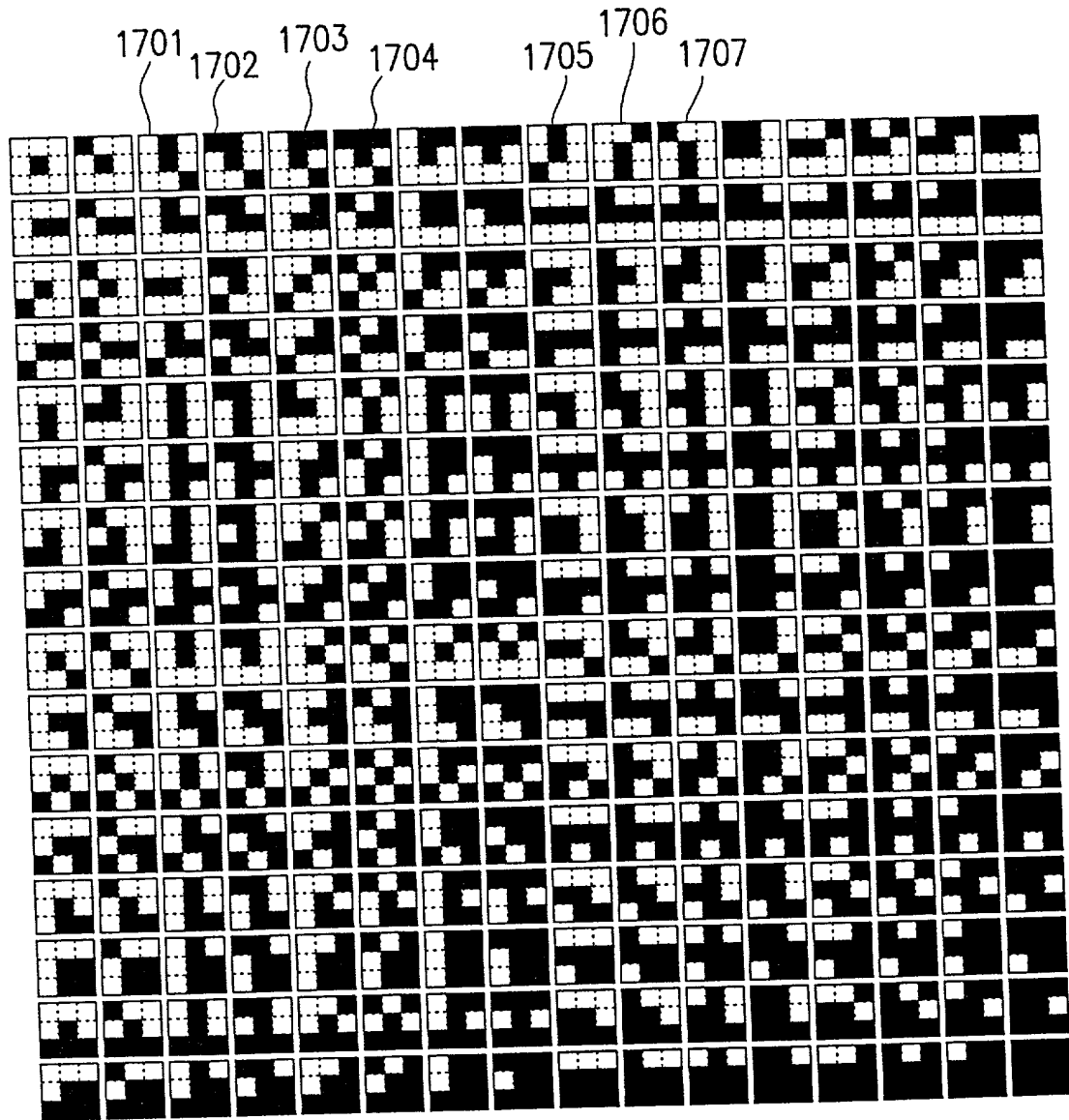
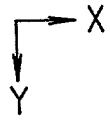


FIG. 17

FIG. 18



1803 1812
1804 1801 1814
1802 1813

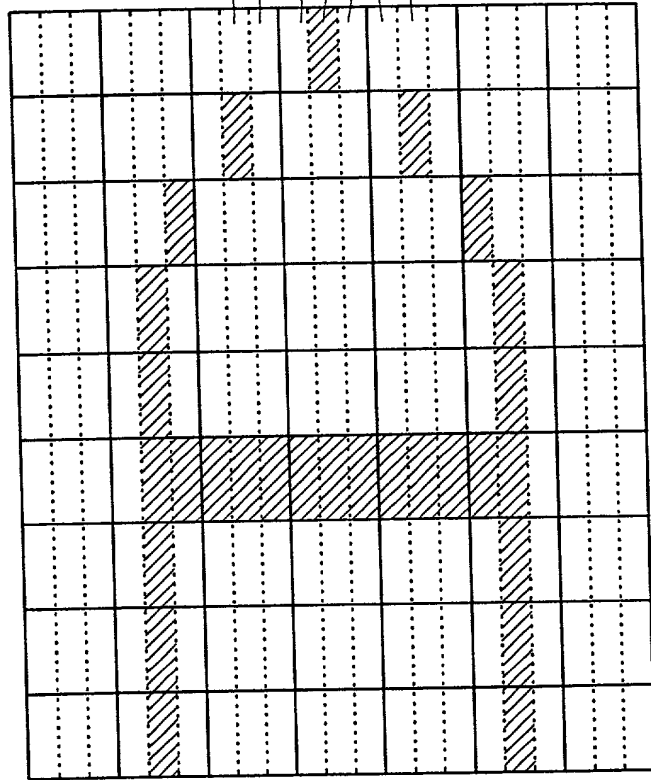
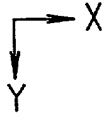


FIG. 19



			1:2:5:7:5:2:1					
		1:2:5:7:5:2:1	2:1:2:5:7:5:2:1					
	1:2:5:7:5:2:1			1:2:5:7:5:2:1				
1:2:5:7:5:2:1				1:2:5:7:5:2:1				
1:2:5:7:5:2:1				1:2:5:7:5:2:1				
1:2:5:7:7:7:7:7:7:7:7:5:2:1								
1:2:5:7:5:2:1				1:2:5:7:5:2:1				
1:2:5:7:5:2:1				1:2:5:7:5:2:1				
1:2:5:7:5:2:1				1:2:5:7:5:2:1				

3191

3193 3192 3194

"PAGES" OF CHS 60

FIG. 20

Correction pattern table 2170

Superfine Correction pattern 1	5
	2
	1
Fine Correction pattern 2	6
	3
	1
Medium Correction pattern 3	5
	3
	2
	1
Bold Correction pattern 4	6
	4
	2
	1
Superbold Correction pattern 5	6
	4
	3
	2
	1

FIG.21

Correction pattern table 2180

~20 dots Correction pattern 1	5
	2
	1
21 ~32 dots Correction pattern 2	6
	4
	2
	1
33 ~48 dots Correction pattern 3	6
	4
	3
	2
	1

FIG.22

Correction pattern table 2270

Normal Correction pattern 1	5
	2
	1
Complicated Correction pattern 2	5
	2

FIG. 23A

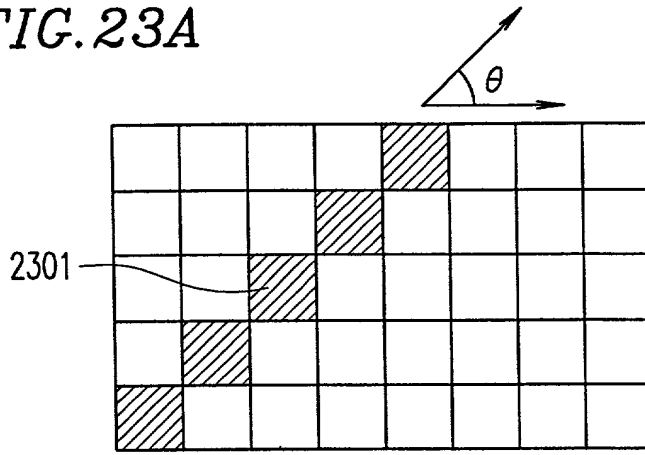


FIG. 23B

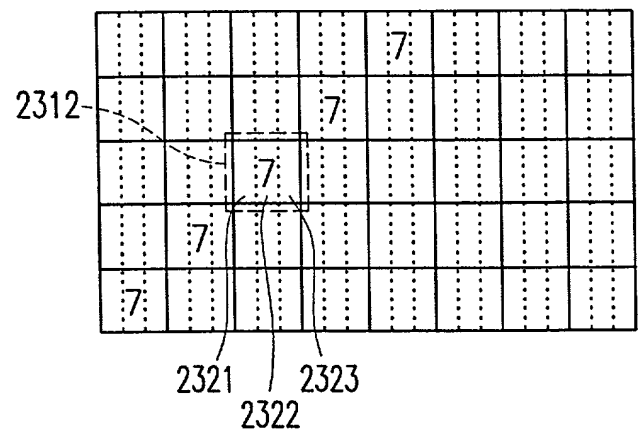
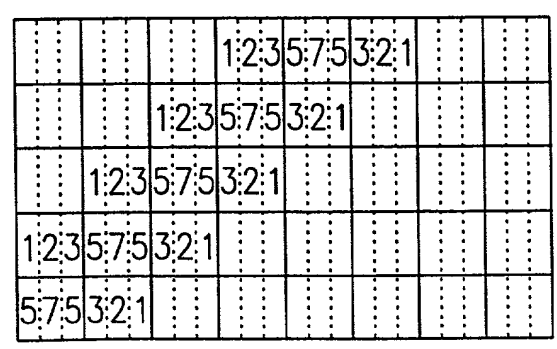
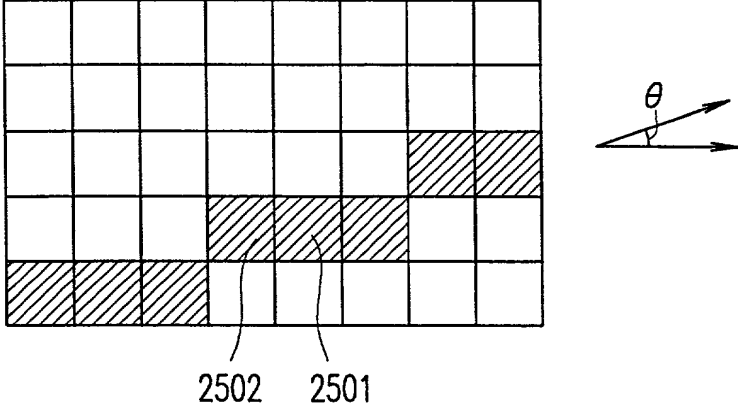


FIG. 23C



Patent & Trademark

FIG. 24A



2502 2501

FIG. 24B

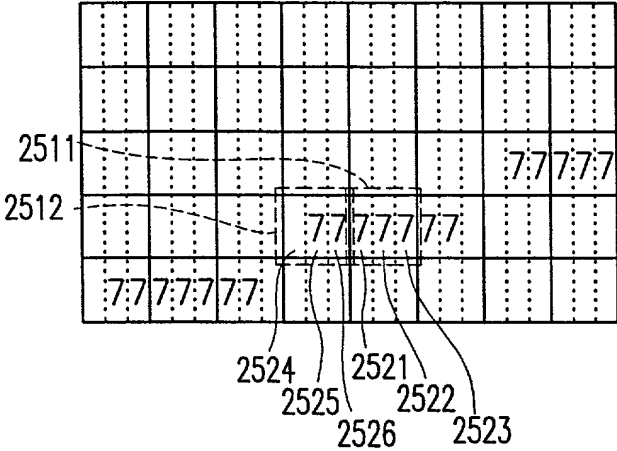


FIG. 24C

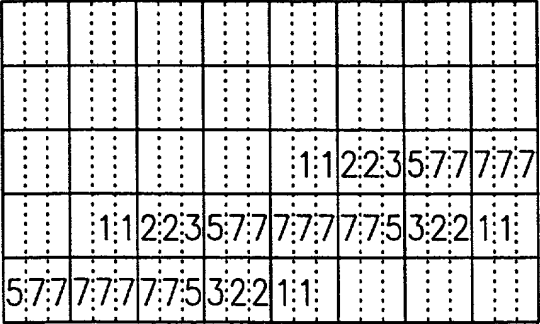


FIG. 24A

FIG. 25A

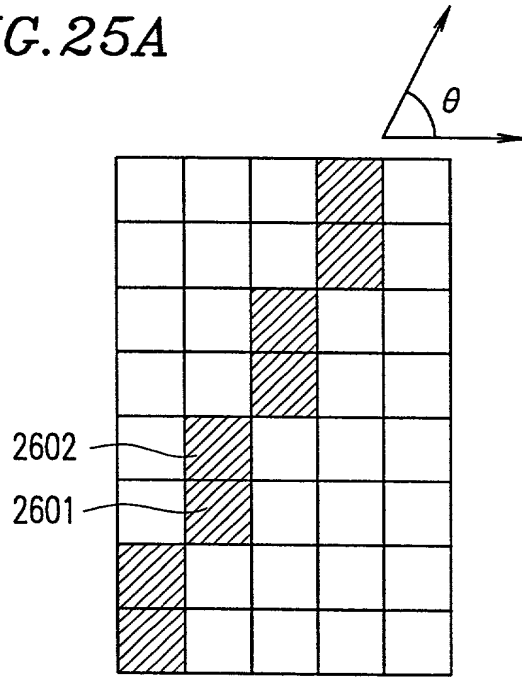


FIG. 25B

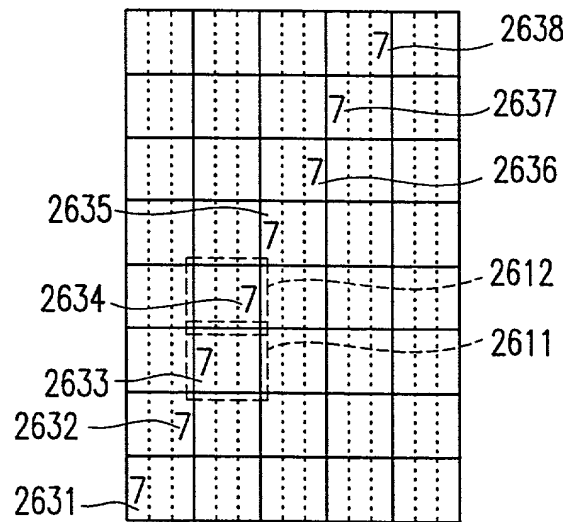


FIG. 25A

FIG. 25C

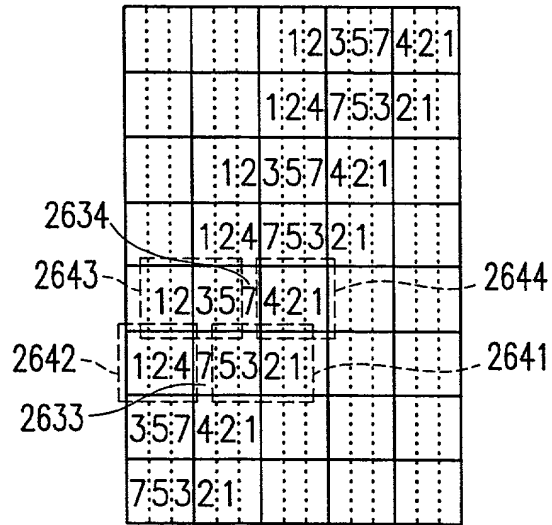


FIG. 25C

FIG. 26A

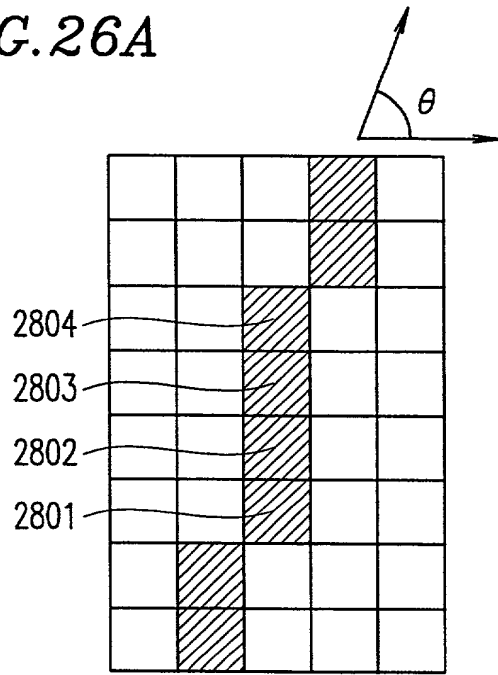


FIG. 26B

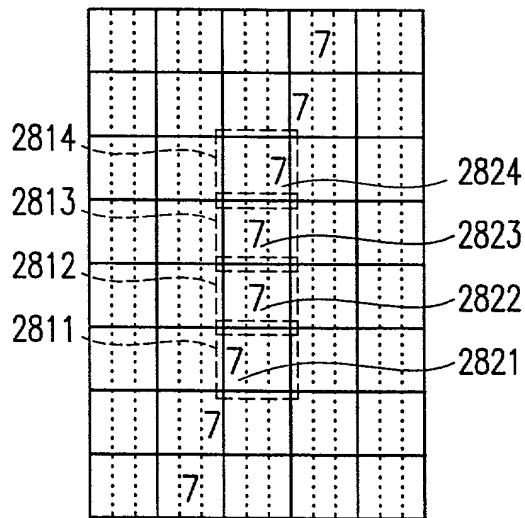


FIG. 26A

FIG. 26C

⋮	⋮	1:2:3	5:7:4	2:1	⋮	⋮
⋮	⋮	1:2:4	7:4:2	1	⋮	⋮
⋮	⋮	1:2:4:7	4:2:1	⋮	⋮	2824
⋮	⋮	1:2:4:7:5	3:2:1	⋮	⋮	2823
⋮	⋮	1:2:3	5:7:4	2:1	⋮	2822
⋮	⋮	1:2:4	7:4:2	1	⋮	2821
⋮	⋮	1:2:4:7	4:2:1	⋮	⋮	
⋮	⋮	1:2:4:7:5	3:2:1	⋮	⋮	

FIG. 27A

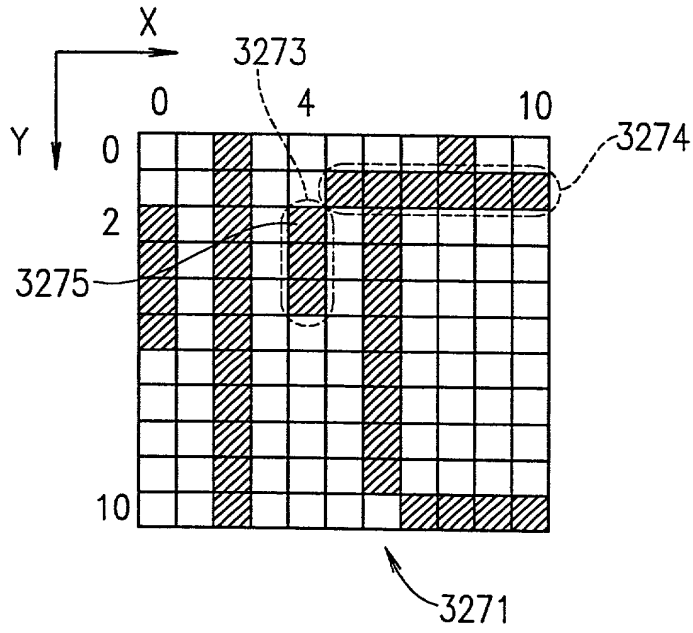


FIG. 27B

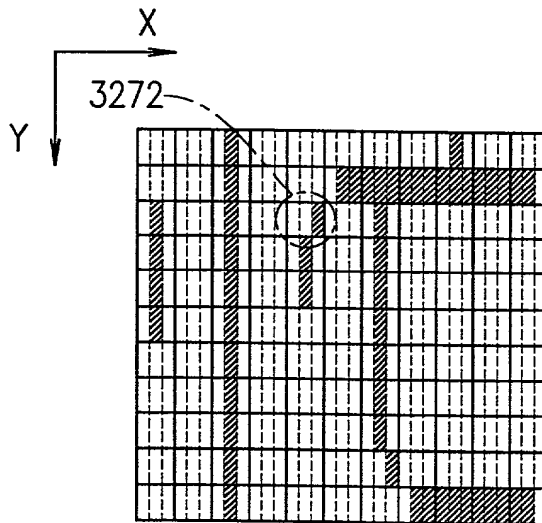
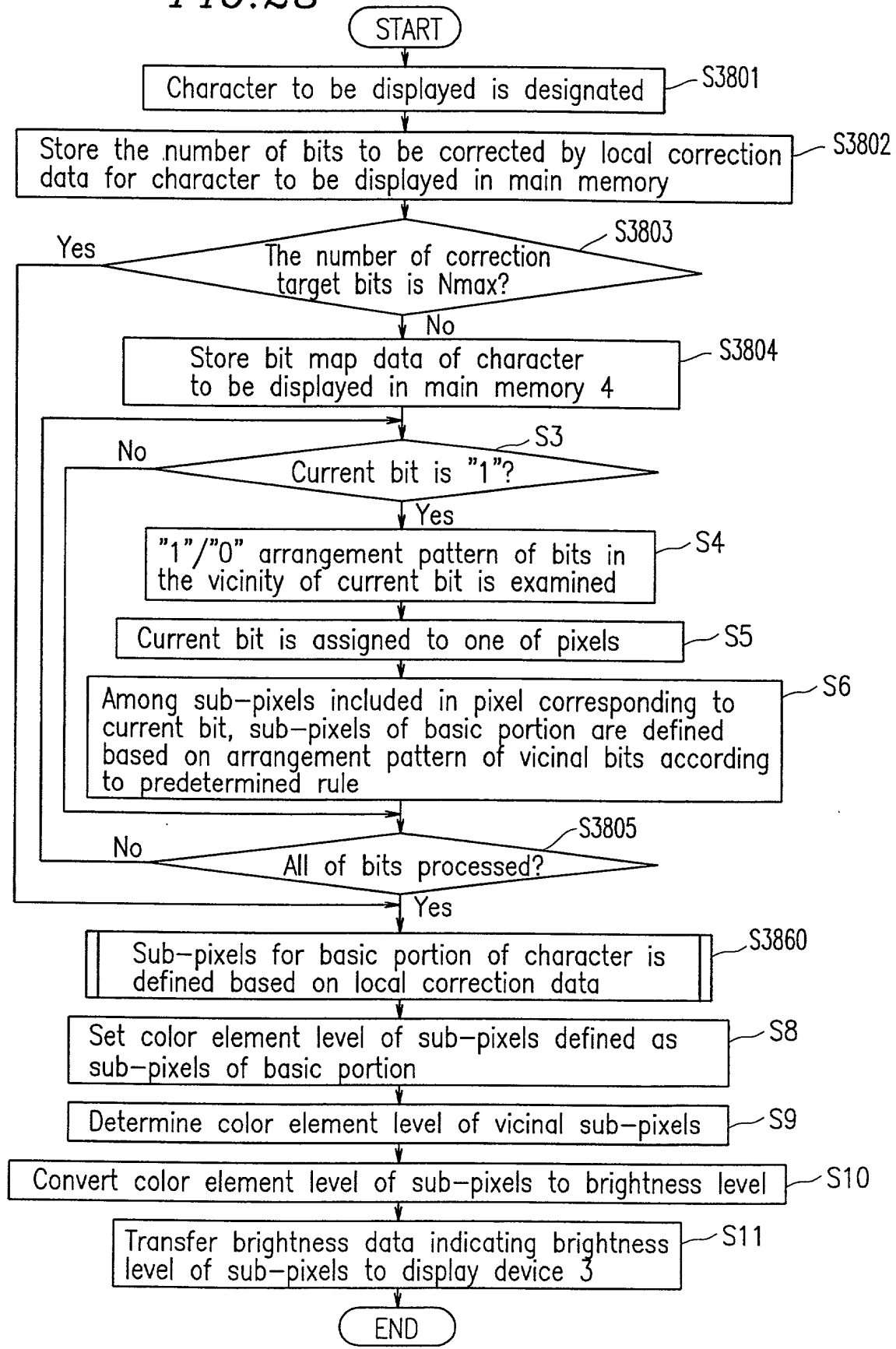


FIG. 27A

FIG. 28



"COPY" REFERENCE

FIG. 29

5e

Character number	3301
The number of correction target bits ($0 < N < N_{max}$)	3302
Correction target bit 1	
X-coordinate of correction target bit 1	3304
Y-coordinate of correction target bit 1	3305
Basic portion pattern of correction target bit 1	3306
Correction target bit 2	
X-coordinate of correction target bit 2	3304
Y-coordinate of correction target bit 2	3305
Basic portion pattern of correction target bit 2	3306
• • •	
Correction target bit N	
X-coordinate of correction target bit N	3304
Y-coordinate of correction target bit N	3305
Basic portion pattern of correction target bit N	3306

FIG. 30

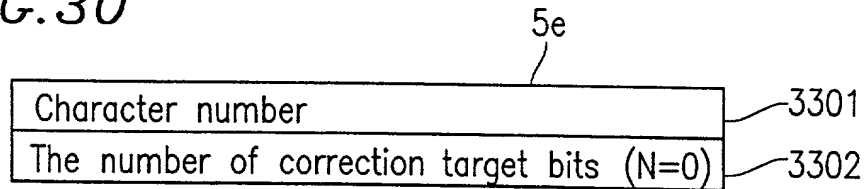


FIG. 31

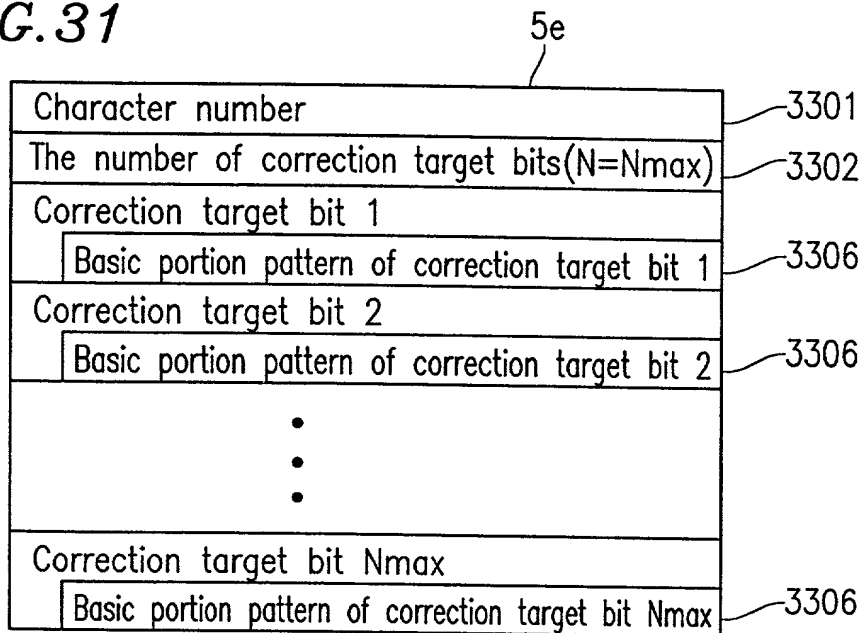


FIG. 30 & FIG. 31

FIG. 32

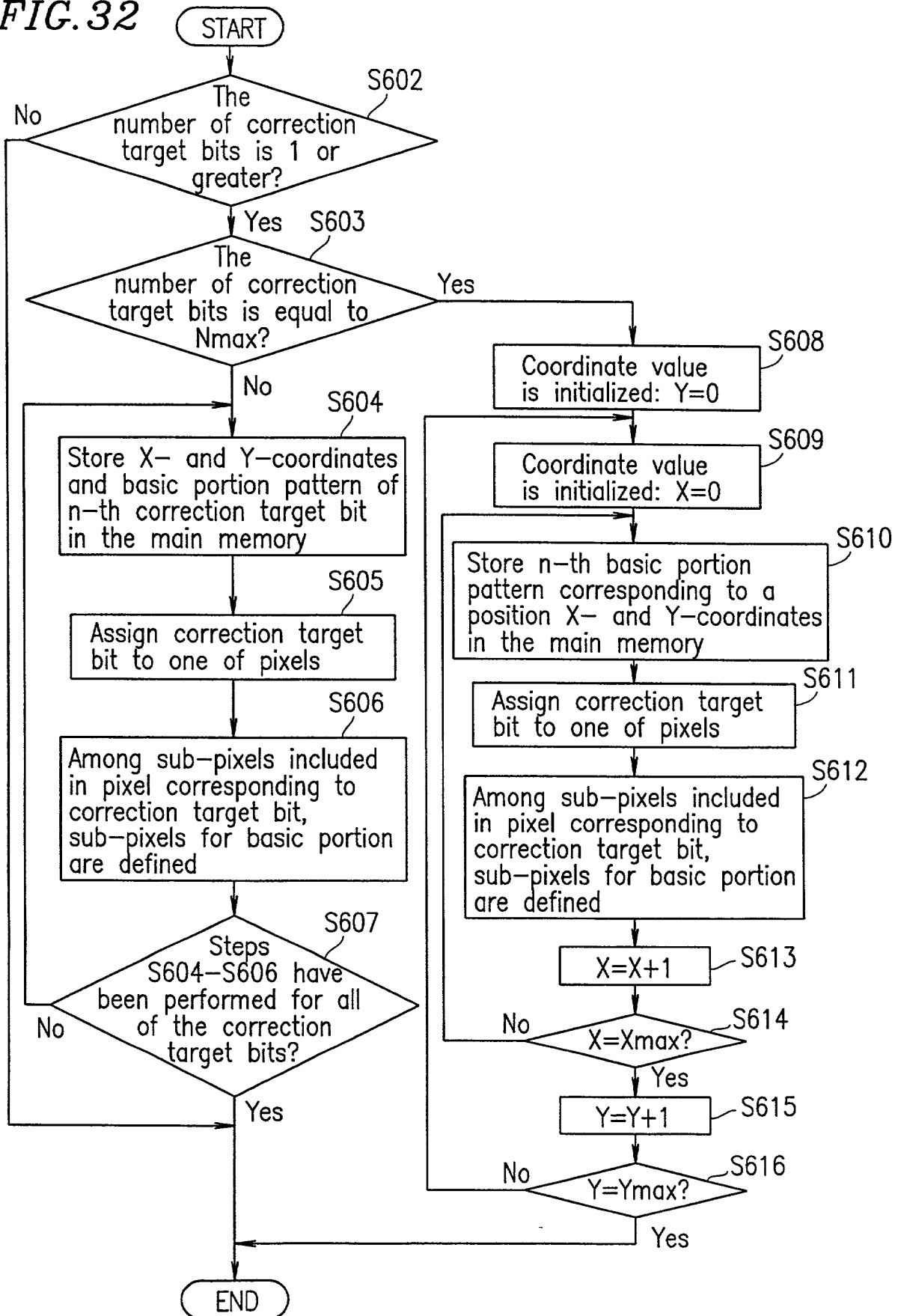


FIG. 33

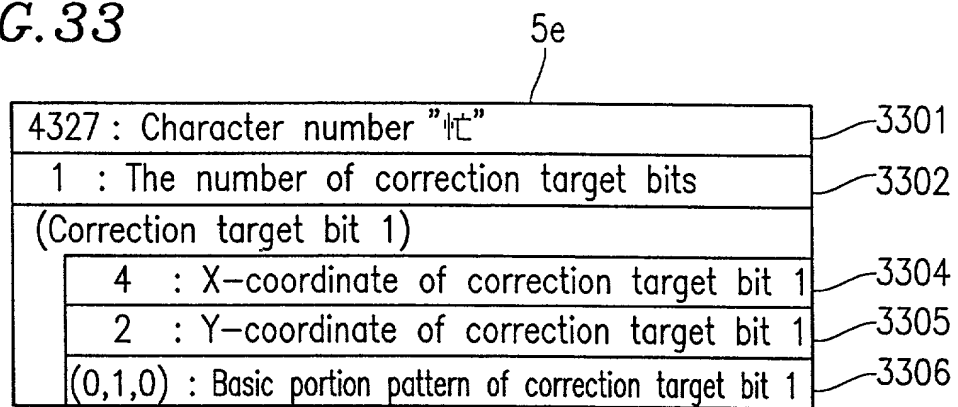


FIG. 35

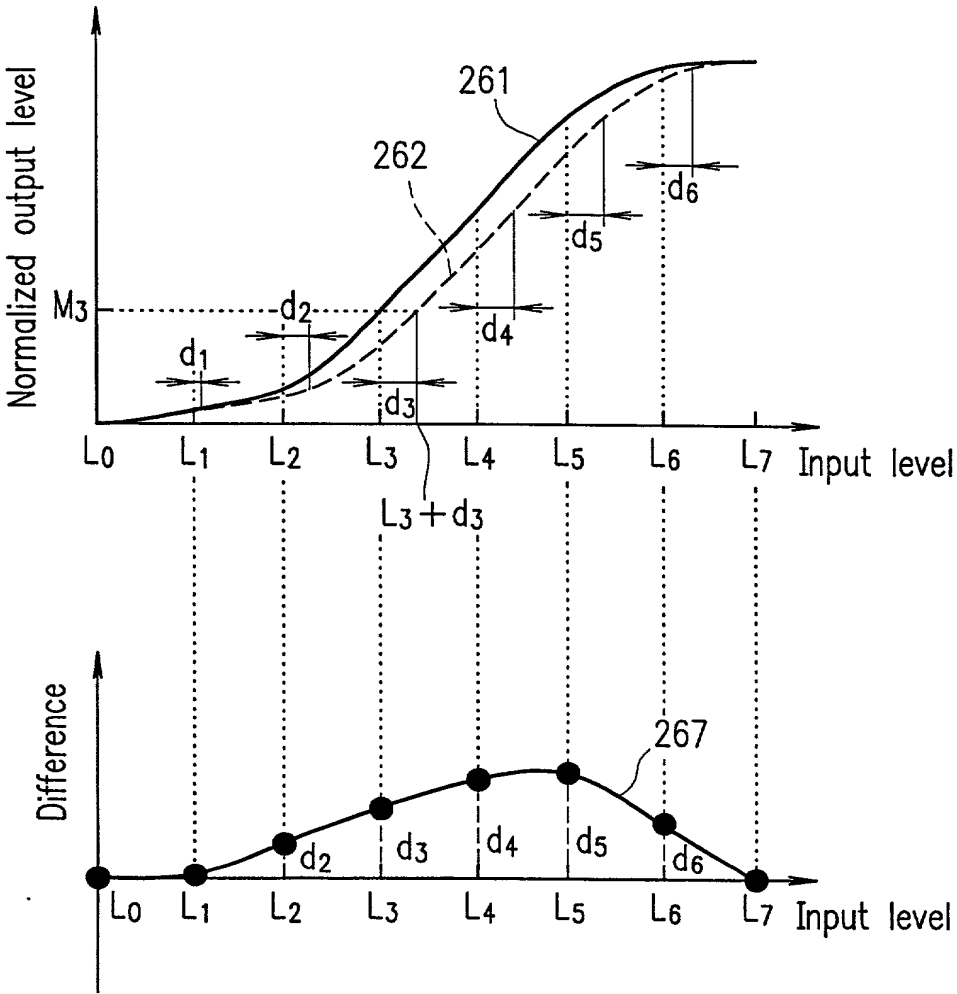


FIG. 35

FIG. 36

2792

		Brightness level		
		R	G	B
Color element level	7	0	0	0
	6	+2	+2	+14
	5	+4	+3	+18
	4	+7	+5	+25
	3	+8	+6	+20
	2	+9	+7	+15
	1	+5	+4	+6
	0	0	0	0

FIG. 37

Corrected brightness table 2892

		Brightness level		
		R	G	B
Color element level	7	0	0	0
	6	38	38	50
	5	77	76	91
	4	116	114	134
	3	154	152	166
	2	191	189	197
	1	224	223	225
	0	255	255	255

FIG. 38

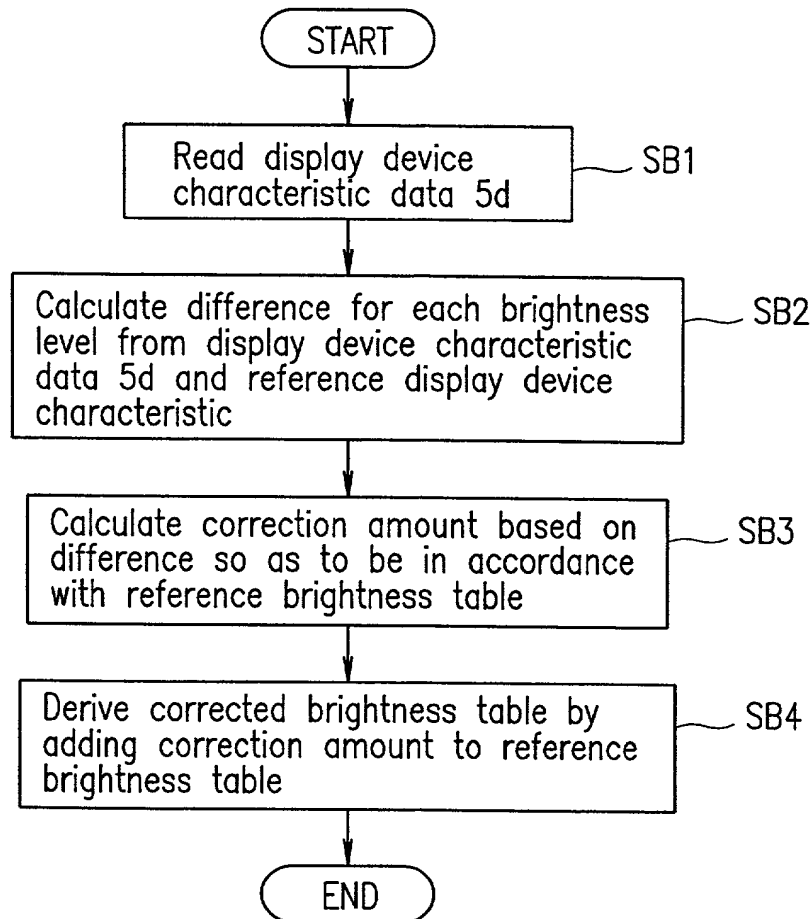
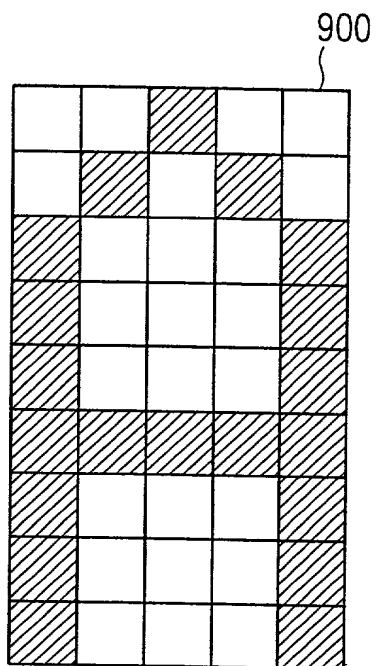


FIG. 39A*FIG. 39B*

904

0	0	1	0	0
0	1	0	1	0
1	0	0	0	1
1	0	0	0	1
1	0	0	0	1
1	1	1	1	1
1	0	0	0	1
1	0	0	0	1
1	0	0	0	1

FIG. 40A

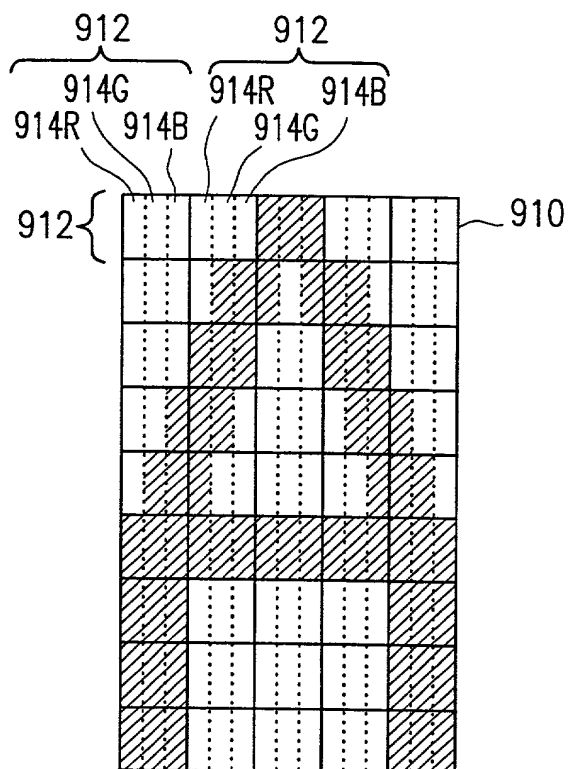


FIG. 40A

FIG. 40B

916

916R				916G				916B					
0	0	1	0	0	0	1	0	0	0	1	0	0	
0	0	1	1	0	1	0	1	0	0	1	1	0	0
0	1	0	1	0	1	0	1	0	0	1	0	1	0
0	1	0	0	1	1	0	1	0	1	0	0	1	0
0	1	0	0	1	1	0	0	1	1	0	0	1	0
1	1	1	1	1	1	1	1	1	1	1	1	1	1
1	0	0	0	1	1	0	0	1	1	0	0	0	1
1	0	0	0	1	1	0	0	1	1	0	0	0	1
1	0	0	0	1	1	0	0	1	1	0	0	0	1